

Over Critical Isolation Valves

Engineered specifically for high-pressure and high-temperature power applications.



Demanding pressure & temperature? Demand Parker.

Our Over Critical Isolation valves were engineered with robust F91 pressure boundary parts to meet the severe service requirements of power applications. With 14mm through 25mm end connectors, these U Series needle valves are pressure-rated at up to 8000 psig/551 bar, and temperature-rated from -65°F to 1200°F (-54°C to 649°C) with Grafoil® packing and our high temperature option. A non-rotating lower stem helps extend packing life by removing rotation from the packing area. In addition, stem packing below the threads isolates the thread lubricant from the flow, ensuring adequate lubrication regardless of the media.



Contact Information: Product Features:

Parker Hannifin Corporation
Instrumentation Products Division
2651 Alabama Highway 21 North
Jacksonville, AL 36265

www.parker.com/ipdus

Product Features:	Product Benefits:
· Union bonnet design	· High integrity seal under severe service
· Packing below the power threads	· Protects and isolates thread lubricants from the media
· Stem swivel above the packing	· Eliminates entrapment area and increases packing life
· Grafoil® packing	· High temperature resistance
· Choice of regulating or blunt stem types	· Blunt stem type helps combat wire draw in the presence of steam
· F91 alloy steel/316 Stainless Steel	· Ideal for rigorous boiler applications
· Wide variety of US customary socket weld and butt weld connections available	· Flexible for a wide variety of plumbing designs
· Panel mountable	· Suitable for high vibration applications
· 100% factory tested	· Quality-assured



ENGINEERING YOUR SUCCESS.

Product Specifications:

Pressure Rating:

8000 psig (551 bar) CWP

Temperature Rating:

Grafoil® packing with HT option:
-65° F to 1200° F (-54° C to 649° C)

Orifice: 7.9mm-11.1mm

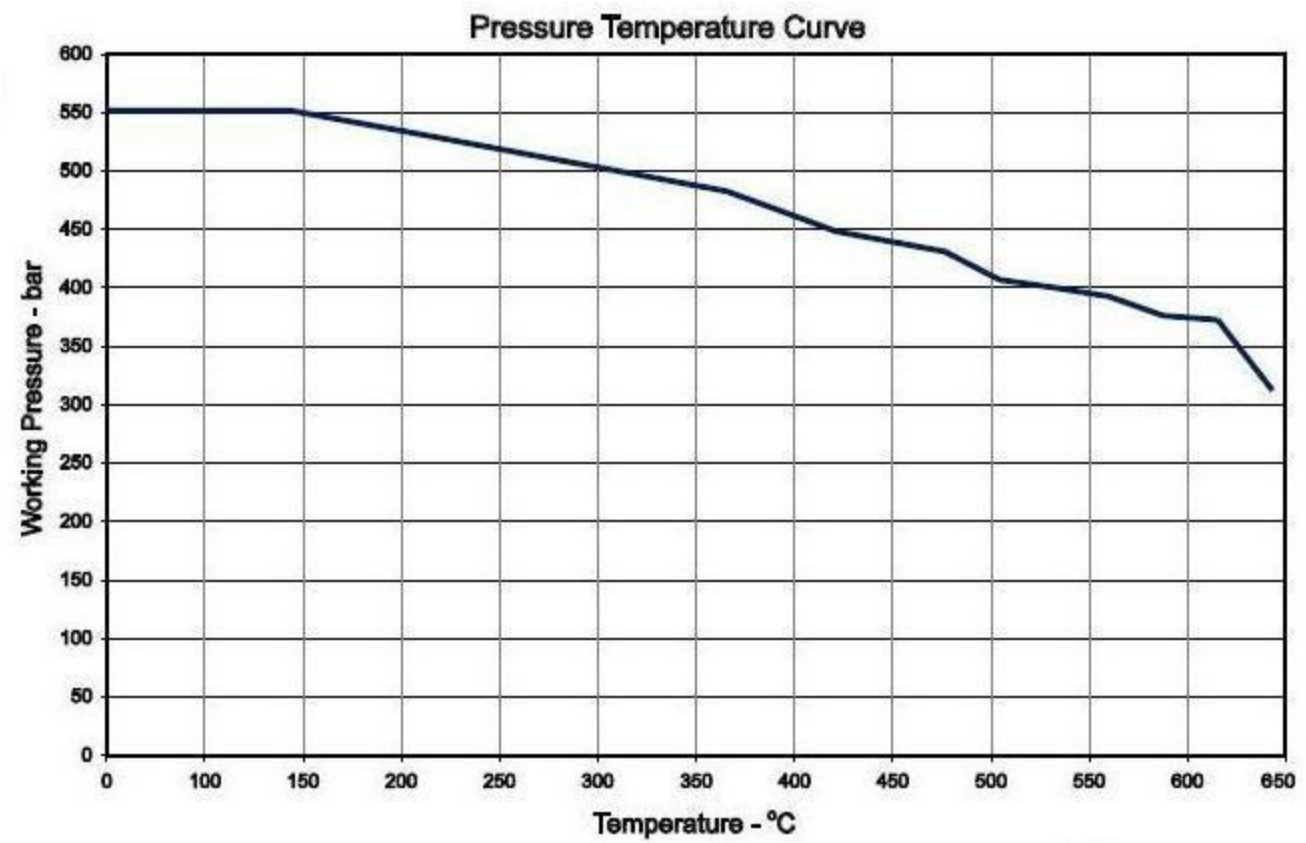
Cv: 1.74-3

End Connection Types:

- Pipe socket weld
- Tube socket weld

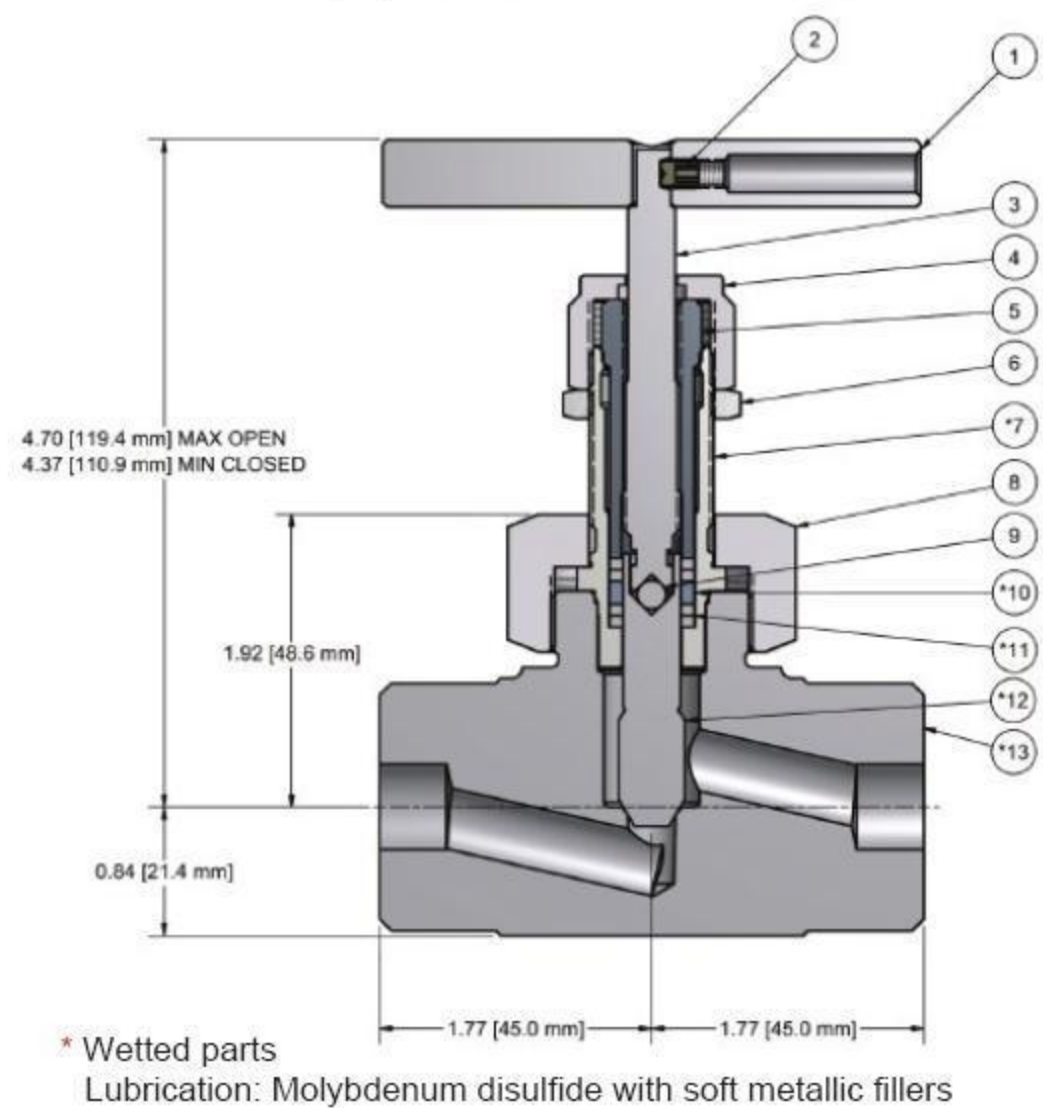
Example Part # – 14mm ends:

M14W-U12LB-G-F91-OC



Materials of Construction:

Item #	Qty	Description	Material
1	1	Handle	316 Stainless Steel
2	1	Handle Screw	Stainless Steel
3	1	Upper Stem	ASTM A564, Type 630
4	1	Packing Nut	ASTM A479, Type 316
5	1	Stem Guide	ASTM A581, Type 416
6	1	Locking Nut	Stainless Steel
*7	1	Bonnet	ASTM A182, Type F91
8	1	Bonnet Nut	ASTM A182, Type F91
9	1	Ball	440C Stainless Steel
*10	1	Packing	Grafoil® Grade GTJ
*11	4	Packing Washer	ASTM A479, Type 347
*12	1	Lower Stem	ASTM A479, Type 316
*13	1	Body	ASTM A182, Type F91



Questions on severe service valves?

Contact your authorized Parker Instrumentation distributor, or the Parker Instrumentation Division at

Grafoil® is a registered trademark of GrafTech International LTD.

